

Encoder

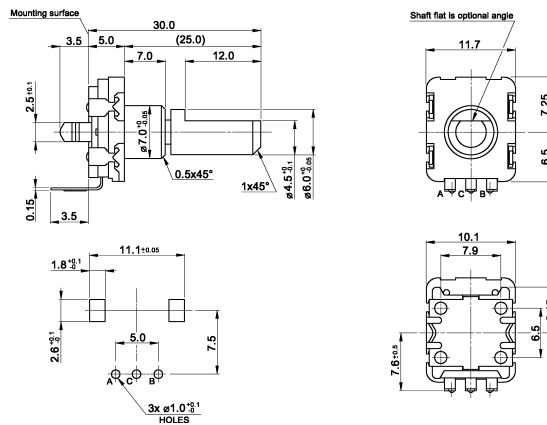


Specifications:

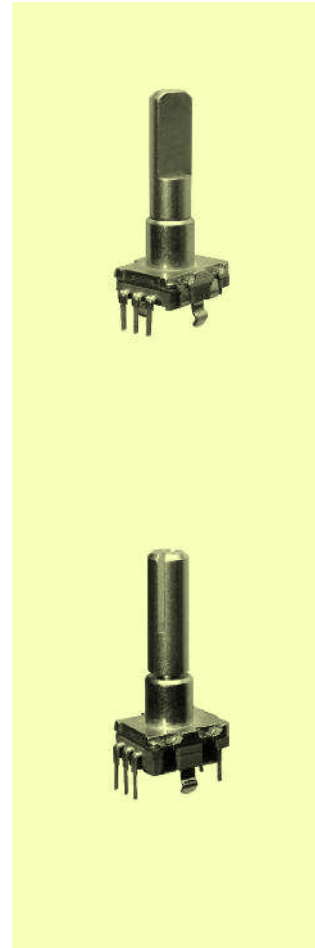
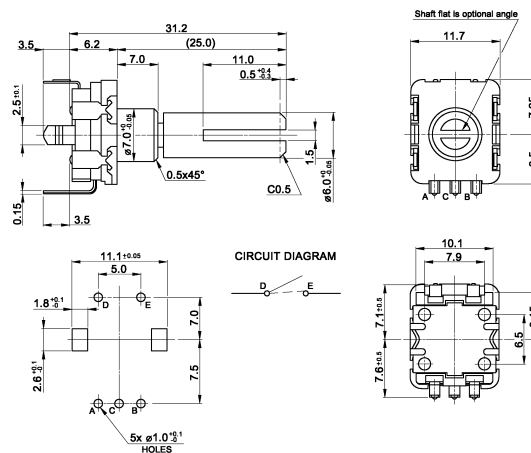
| | |
|---------------------------|--|
| Contact rating: | 5 V DC, 10 mA |
| Insulation resistance: | > 100 MΩ |
| Dielectric strength: | 300 V, 50 Hz for the duration of 1 minute |
| Operating temperature: | -10 °C to +85°C |
| Rotational/Detent torque: | 0.5/1.2 Ncm |
| Mechanical life: | > 15 000 cycles |
| Pushbutton (optional): | actuation force 6 N, travel 0.5 mm, life > 25 000 operations |
| Contacts: | silver-plated |
| Terminals: | silver-plated |
| Mounting: | on pc-board |
| | single hole mounting, bushing M 7 x 0.75 |
| Soldering conditions: | wave-soldering – max.: 5 sec, 260 °C |

Models:

MER11-15125B



MERP11-15325B

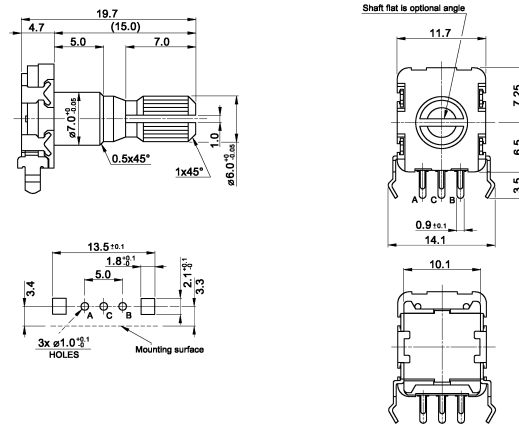


10

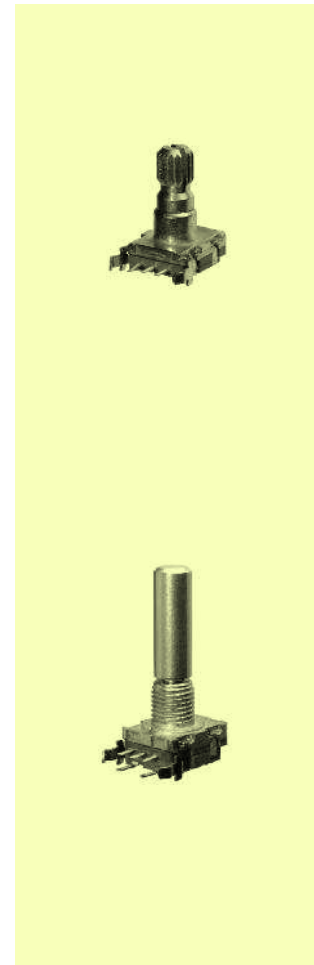
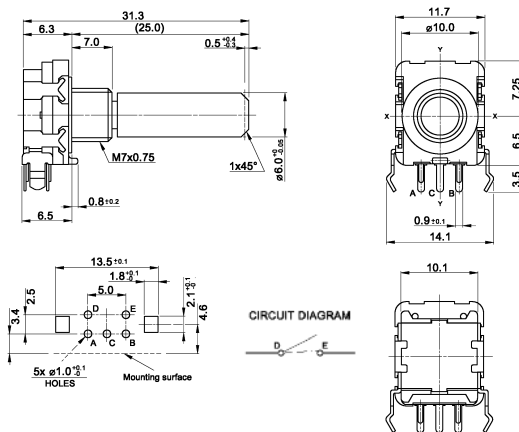


Models:

MER11-15215A-R



MERP11-20425BM7-R



Output signal format:

| Shaft rotational direction | Signal | Output |
|----------------------------|--------------|-----------|
| C.W. | Terminal A-C | OFF ON |
| | Terminal B-C | OFF ON |
| C.C.W. | Terminal A-C | OFF ON |
| | Terminal B-C | OFF ON |

Ordering code 11 mm Encoder:

MER 11 - -

Pushbutton:

- without
- with

Number of pulses:

- 08 8 pulses, 16 detents
- 08N 8 pulses, no detents
- 15 15 pulses, 30 detents
- 15N 15 pulses, no detents
- 16 16 pulses, 16 detents
- 16N 16 pulses, no detents
- 20 20 pulses, 20 detents
- 20N 20 pulses, no detents

Shaft type:

- 1 flat
- 2 knurled
- 3 cut
- 4 round

Shaft length:

- 15 15 mm
- 17.5 17.5 mm
- 20 20 mm
- 25 25 mm

Bushing height:

- A 5 mm
- B 7 mm

Shaft orientation:

- R horizontal
- vertical

Thread:

- M7 M7
- no thread

Travel (only for "P"):

- 0.5 mm
- 1.5 mm